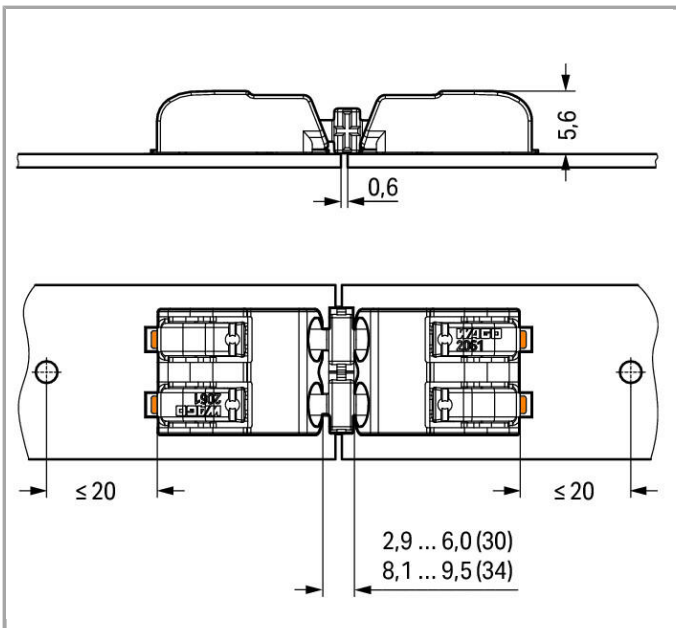
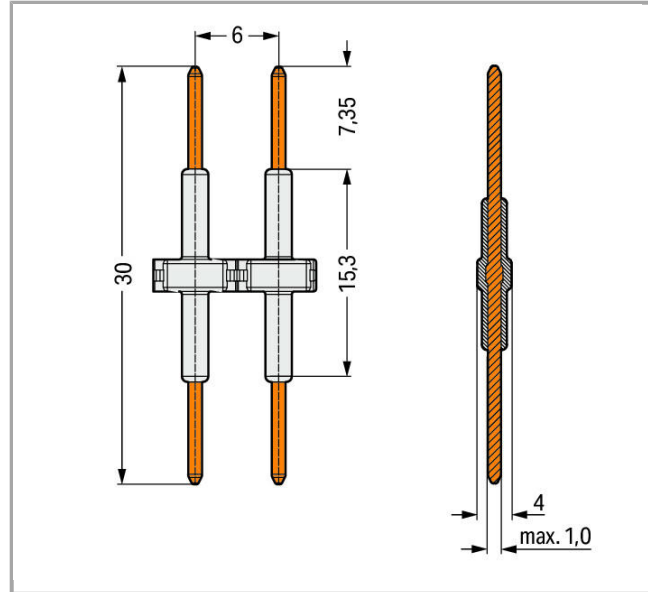
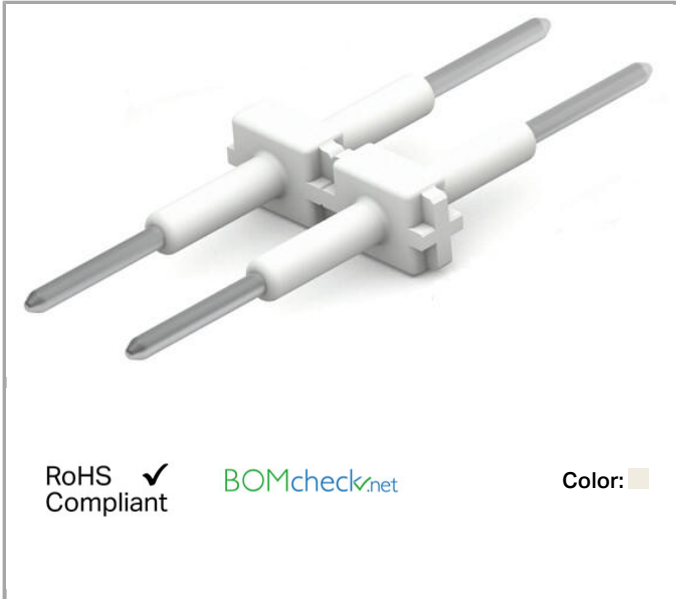


Data sheet | Item number: 2061-902

Board-to-Board Link; Pin spacing 6 mm; 2-pole; Length: 30 mm



2061-902



Item description

- Board-to-board link simplifies in-line assembly of LED modules
- Easy push-in termination and disconnection without push-button actuation

## Data

## Electrical data

## Ratings per IEC/EN 60664-1

Rated voltage (III / 3)	250 V
Rated impulse voltage (III / 3)	4 kV
Rated voltage (III / 2)	320 V
Rated impulse voltage (III / 2)	4 kV
Rated voltage (II / 2)	630 V
Rated impulse voltage (II / 2)	4 kV
Rated current	9 A

## Connection data

No. of poles	2
Total number of potentials	2
Number of connection types	1

## Geometrical Data

Pin spacing	6 mm / 0.236 inch
Width	11.7 mm / 0.461 inch
Height	2.5 mm / 0.098 inch
Depth	30 mm / 1.181 inch

## Mechanical data

Mating cycles	10
Number of mating cycles	max. 10 mating cycles

## Material Data

Color	white
Material group	I
Insulating material	Polyamide 66 (PA 66)
Flammability class per UL94	V0
Contact material	Copper alloy
Contact plating	silver-plated
Fire load	0 MJ

Weight	0.567 g
--------	---------

### Environmental Requirements





Limit temperature range	-60 ... +105 °C
-------------------------	-----------------

### Commercial data


Country of origin	CN
GTIN	4055143656832
Customs Tariff No.	85369010000

### Approvals / Certificates

#### Country specific Approvals

Logo	Approval	Additional Approval Text	Certificate name
	CCA DEKRA Certification B.V.	EN 60947-7-4	NTR NL-7459
	CCA DEKRA Certification B.V.	EN 60838	NTR NL-7721
	KEMA/KEUR DEKRA Certification B.V.	EN 60947-7-4	71-100855
	KEMA/KEUR DEKRA Certification B.V.	EN 60838	71-106232

#### UL-Approvals

Logo	Approval	Additional Approval Text	Certificate name
	cURus Underwriters Laboratories Inc.	UL 1059	E45172

### Downloads

#### Documentation

#### Additional Information

[pdf](#) [Download](#)



3.6 MB

---

### CAD/CAE - Smart Data

#### CAD data

3D Download 2061-902

URL

Download

---

Subject to changes.

---